



## Modular Cooking Range Line 700XP 6-Hot Square Plates Electric Boiling Top Range on Electric Oven

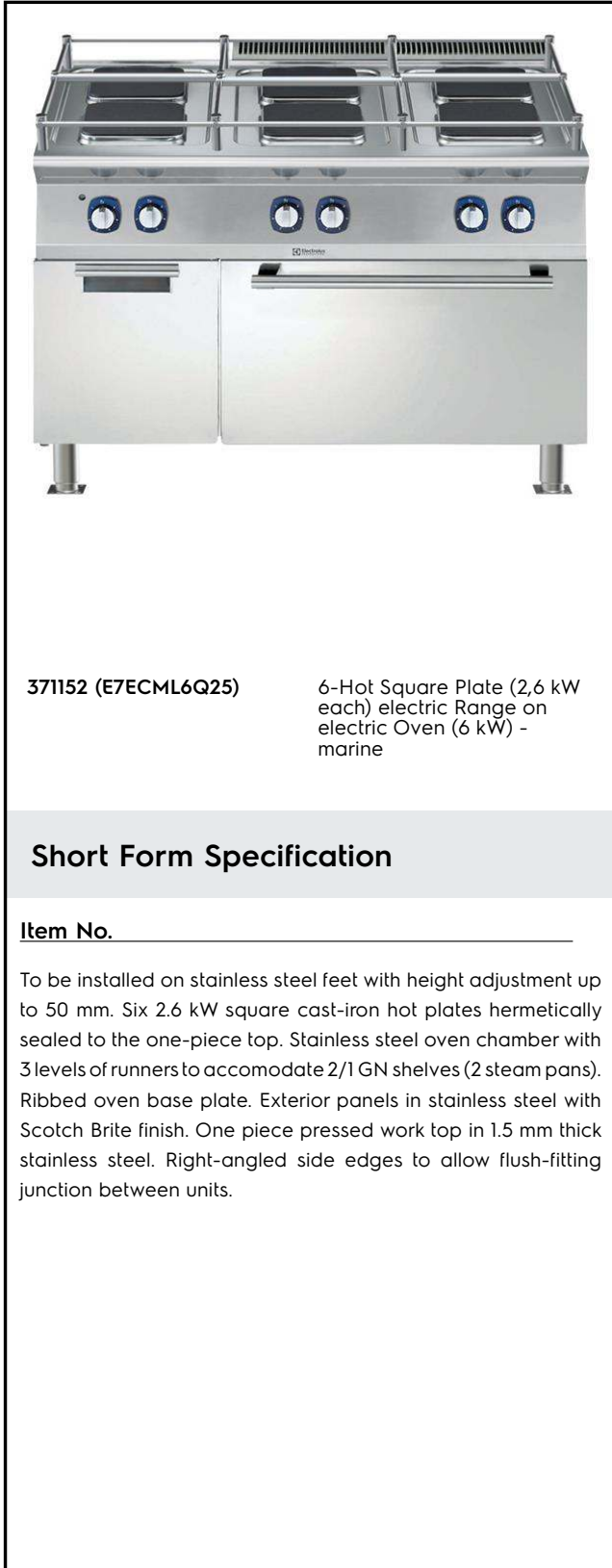
ITEM # \_\_\_\_\_

MODEL # \_\_\_\_\_

NAME # \_\_\_\_\_

SIS # \_\_\_\_\_

AIA # \_\_\_\_\_



371152 (E7ECML6Q25)

6-Hot Square Plate (2,6 kW each) electric Range on electric Oven (6 kW) - marine

### Short Form Specification

Item No. \_\_\_\_\_

To be installed on stainless steel feet with height adjustment up to 50 mm. Six 2.6 kW square cast-iron hot plates hermetically sealed to the one-piece top. Stainless steel oven chamber with 3 levels of runners to accommodate 2/1 GN shelves (2 steam pans). Ribbed oven base plate. Exterior panels in stainless steel with Scotch Brite finish. One piece pressed work top in 1.5 mm thick stainless steel. Right-angled side edges to allow flush-fitting junction between units.

### Main Features

- Base compartment consists of an electric standard oven with thick oven door for heat insulation, positioned beneath the base plate.
- IPx4 water protection.
- Oven thermostat adjustable from 140 °C to 300 °C.
- The special design of the control knob system guarantees against water infiltration.
- Electric oven to have separate thermostats for top and bottom heating elements.
- Stainless steel oven chamber with 3 levels of runners to accommodate 2/1 GN shelves (2 steam pans).
- Ribbed enamelled steel oven base plate.
- The six 2.6kW cast-iron square plates are hermetically sealed to the one-piece top.

### Construction

- Model has right-angled side edges to allow flush fitting joints between units, eliminating gaps and possible dirt traps.
- One piece pressed 1.5 mm work top in Stainless steel.
- All exterior panels in Stainless Steel with Scotch Brite finishing.

APPROVAL: \_\_\_\_\_



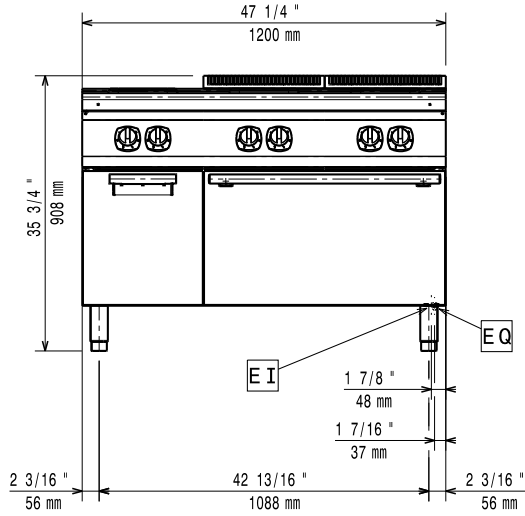
### Included Accessories

- 1 of GN2/1 chrome grid for static oven PNC 164250

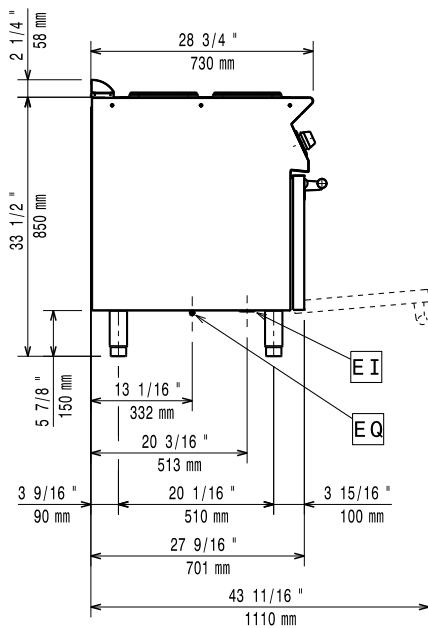
### Optional Accessories

- GN2/1 chrome grid for static oven PNC 164250
- Kit 4 wheels - 2 swivelling with brake - it is mandatory to install Base support and wheels PNC 206135
- Frontal kicking strip, 1200mm (not for refr-freezer base) PNC 206178
- 2 supports with side runners for 4 GN 1/1 containers for open base cupboards (multifunctional cookers, solid top and gas ranges with cupboard) PNC 206244
- Central support for installation of drawers and grid (on 800/1200mm bases) and of doors (on 1200mm bases) PNC 206245
- Electric heating kit for cupboards PNC 206259
- Water column with swivel arm (water column extension not included) PNC 206289
- Water column extension for 700 line PNC 206291
- Right and left side handrails PNC 206307
- Back handrail 1200 mm PNC 206309
- Door for open base cupboard PNC 206350
- Base support for feet or wheels - 400mm (700/900) PNC 206366
- Base support for feet or wheels - 800mm (700/900) PNC 206367
- Base support for feet or wheels - 1200mm (700/900) PNC 206368
- Base support for feet or wheels - 1600mm (700/900) PNC 206369
- Base support for feet or wheels - 2000mm (700/900) PNC 206370
- Rear paneling - 1200mm (700/900) PNC 206376
- Chimney grid net, 400mm (700XP/900) PNC 206400
- 2 side covering panels for free standing appliances PNC 216000
- Frontal handrail, 800mm PNC 216047
- Frontal handrail, 1200mm PNC 216049
- Frontal handrail, 1600mm PNC 216050
- Large handrail - portioning shelf, 800mm PNC 216186
- Filter for fryer oil collection basin for 7lt, 14lt, 15lt free standing fryers PNC 921693

Front

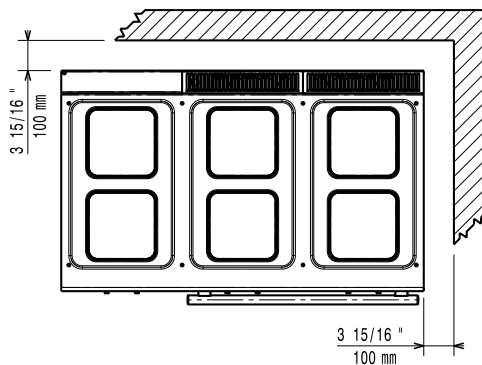


Side



EI = Electrical inlet (power)  
 EQ = Equipotential screw

Top



### Electric

Supply voltage: 400 V/3 ph/50/60 Hz  
 Total Watts: 21.6 kW  
 Predisposed for:

### Key Information:

If appliance is set up or next to or against temperature sensitive furniture or similar, a safety gap of approximately 150 mm should be maintained or some form of heat insulation fitted.

Oven Cavity Dimensions (width): 540 mm  
 Oven Cavity Dimensions (height): 300 mm  
 Oven Cavity Dimensions (depth): 650 mm  
 External dimensions, Width: 1200 mm  
 External dimensions, Depth: 730 mm  
 External dimensions, Height: 850 mm  
 Net weight: 50 kg  
 Shipping weight: 145 kg  
 Shipping height: 1180 mm  
 Shipping width: 820 mm  
 Shipping depth: 1300 mm  
 Shipping volume: 1.26 m<sup>3</sup>  
 Certification group: N7CEI  
 Front Plates Power: 2.6 - 2.6 kW  
 Back Plates Power: 2.6 - 2.6 kW  
 Front Plates dimensions: 230x230 230x230  
 Back Plates dimensions: 230x230 230x230